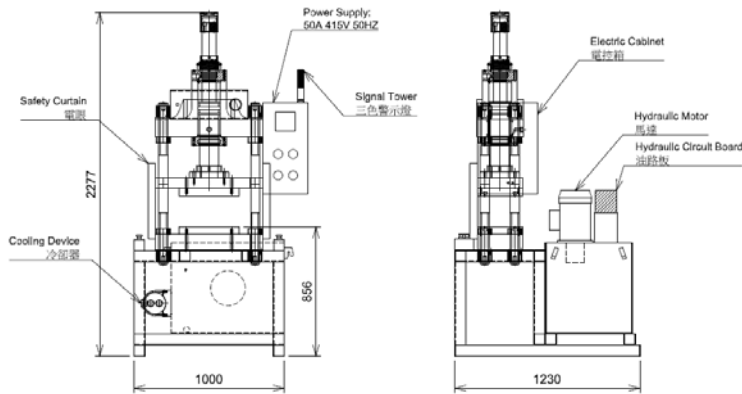


Plastic Sheet Trimming Machine



Precision Bottom Dead Centre Adjustment (in 0.025mm)



Ref. Ref. Layout, DM-20(4030)



trustwell DM-20(4030/6050/6560) Digital Control Hydraulic Trimming Machine

Spec.:

- 20 Ton Digital Control Hydraulic Clamping System (Motor: 5HP x 6P) with the stage sizes : W400 x L300mm / W600 x L500mm / W650 x L600 mm (Please specify the size as request)
- Stage Opening Stroke: 100 ~ 280 mm
- Mechanical Precision Bottom Dead Centre Adjustment
- Fast Closing Down Speed: 100 mm/sec.
- Slow Closing Down Speed: 5 mm/sec.
- Fast Open Up Speed: 100 mm/sec.
- With Safety Light Curtain Sensor at front side.
- Utility: 415V/380V, 3Ph, 50Hz, 50A

PS. The above specs. are only for reference. The actual specs. will be discussed and confirmed according to the specific requirements of the customer.